

ELMARK[®]

The Brand of Electricity

MINIATURE CIRCUIT BREAKERS (MCB) C60DC PV 500V DC



Functions:

- Disconnection the fault current of the DC power distribution system trough are extinguishing and current limiting system.
- Protection from high DC reverse current and AC feedback current caused by the inverter failure, ensuring a reliable operation of solar PV system.
- Responsible protection of high cost components in PV system.
- Covers all common PV system voltages and currents.

Technical data:

- Rated voltage: 2P(500V); 4P(1000V)
- Breaking capacity (cycle O -CO) in accordance with standard EN 60 898- 1: 6000A
- Tripping curve: C
- Rated impulse withstands voltage (1.5/50) Uimp: 4000V
- Dielectric test voltage at ind. Freq. for 1 min: 2kV
- Electrical wear resistance (number of cycles): ≥4000
- Mechanical wear resistance (number of cycles): ≥10000
- Pollution degree: 2
- Contact position indicator: Yes
- IP code: IP>20
- Terminal connection type:
 - Cable
 - Pin-type busbar
 - U-type busbar
- Terminal size top/bottom for cable: 25mm²
- Terminal size top/bottom for busbar: 25mm²
- Tightening torque: 2.5Nm

Mounting:

- Vertical
- DIN-rail
- For mounting in housing or industrial environment without serious current interference
- Ambient temperature: -5° C to + 65°C±2° C
- Daily temperature average: ≤35° C

TECHNICAL SPECIFICATION

AUTOMATION

ELMARK®

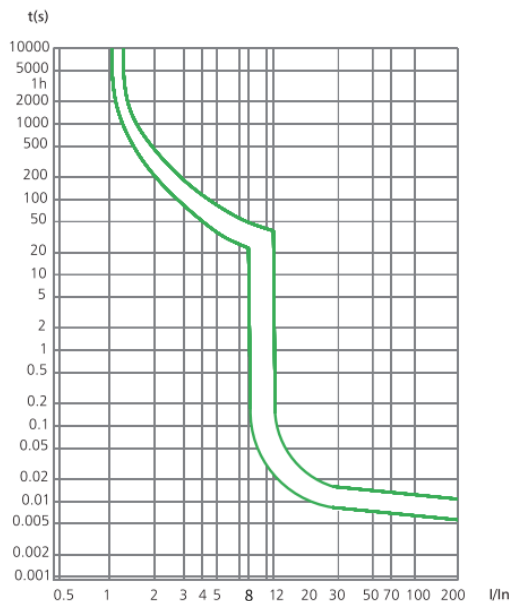
The Brand of Electricity

Variants:

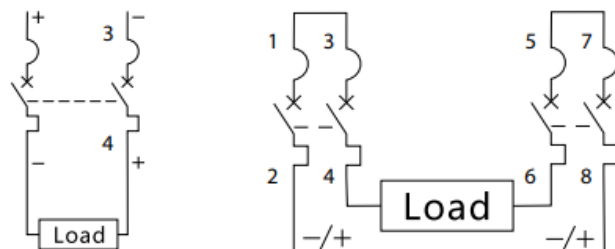


Type	Number of poles	Rated current In (A)	Breaking capacity (kA)	Recommended conductor (mm ²)	Catalogue number Curve C
C62DC PV/6A	2P	6	6	4.0	41264
C62DC PV/10	2P	10	6	4.0	41265
C62DC PV/13A	2P	13	6	4.0	41266
C62DC PV/16A	2P	16	6	4.0	41267
C62DC PV/20A	2P	20	6	6.0	41268
C62DC PV/25A	2P	25	6	6.0	41269
C62DC PV/32A	2P	32	6	10.0	41270
C62DC PV/40A	2P	40	6	10.0	41271
C62DC PV/50A	2P	50	6	16.0	41272
C62DC PV/63A	2P	63	6	25.0	41273

Characteristics Curves



Circuit Diagram



TECHNICAL SPECIFICATION

AUTOMATION

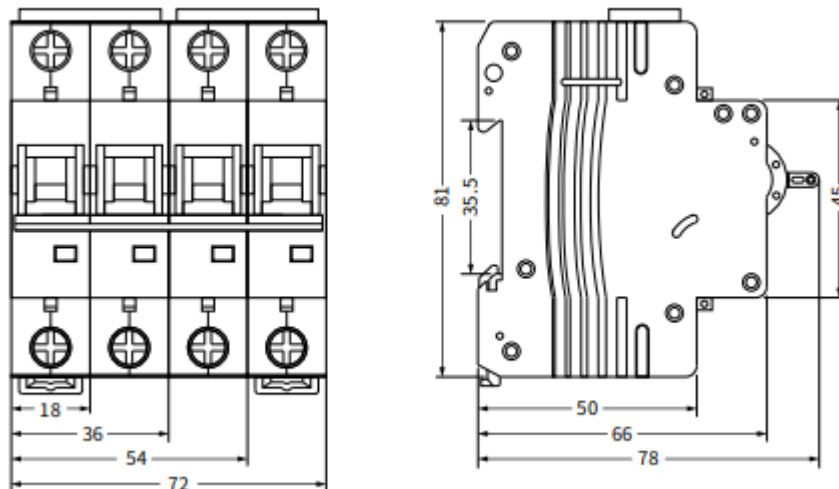
ELMARK®

The Brand of Electricity



Type	Number of poles	Rated current In (A)	Breaking capacity (kA)	Recommended conductor (mm ²)	Catalogue number Curve C
C64DC PV/6A	4P	6	6	4.0	41564
C64DC PV/10A	4P	10	6	4.0	41565
C64DC PV/13A	4P	13	6	4.0	41566
C64DC PV/16A	4P	16	6	4.0	41567
C64DC PV/20A	4P	20	6	6.0	41568
C64DC PV/25A	4P	25	6	6.0	41569
C64DC PV/32A	4P	32	6	10.0	41570
C64DC PV/40A	4P	40	6	10.0	41571
C64DC PV/50A	4P	50	6	16.0	41572
C64DC PV/63A	4P	63	6	25.0	41573

Dimencions:



Additional information:

CURVE C

Catalogue number Curve C	Barcodes	Packing/Box (pcs)
41264	3800131255020	6/120
41265	3800131255037	6/120
41266	3800131255044	6/120
41267	3800131255051	6/120
41268	3800131255068	6/120
41269	3800131255075	6/120
41270	3800131255082	6/120
41271	3800131255099	6/120
41272	3800131255105	6/120
41273	3800131255112	6/120

Catalogue number Curve C	Barcodes	Packing/Box (pcs)
41564	3800131255129	4/80
41565	3800131255136	4/80
41566	3800131255143	4/80
41567	3800131255150	4/80
41568	3800131255167	4/80
41569	3800131255174	4/80
41570	3800131255181	4/80
41571	3800131255198	4/80
41572	3800131255204	4/80
41573	3800131255211	4/80

