

EL[®]MARK

The Brand of Electricity

PLASTIC DISTRIBUTION BOXES ATTIS SERIES



TECHNICAL SPECIFICATION

PLASTIC DISTRIBUTION BOXES

ELMARK[®]

The Brand of Electricity

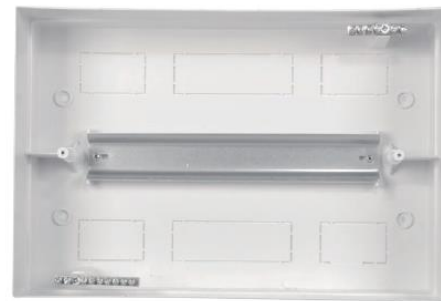
Product Description:

The distribution boxes are designed for mounting in newly built buildings or buildings in reconstruction. They are a module box with mounted protective devices of the given flats electrical current circuit circles. They are supplied with transparent door for each row opening upwards to 90°. They are made of white self-extinguishing plastic, resistant to heat and high temperature with IP code: IP 40. The mounted device in the box is protected from direct contact to the current leading parts. They are offered with DIN-rail for device mounting and terminal strips for the neutral and earthing conductor joining. Mounted directly on the walls with screws.



Technical data:

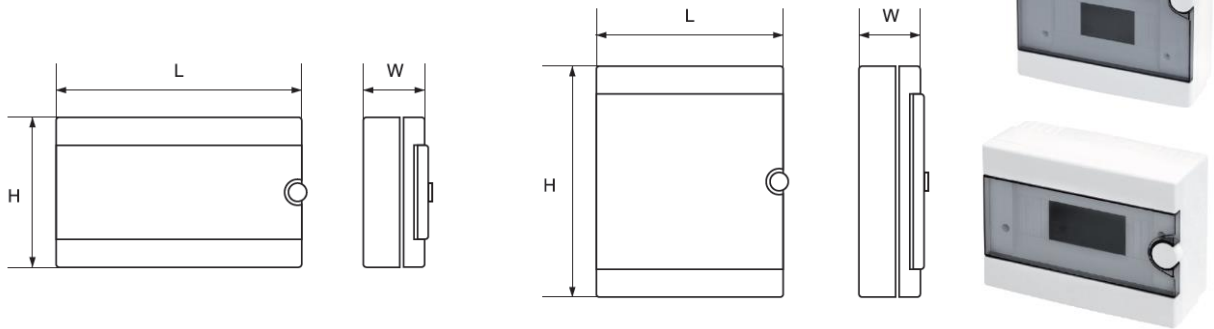
- Maximum insulation voltage: 690V; 50Hz
- Door colour: Transparent
- Mounting type: Surface; Flush
- Modules (№): 6; 9; 12; 16; 24; 36
- IP code: IP40
- Row:
 - Single row for 6, 9, 12 and 16 modules
 - Double rows for 16; 24 and 36 modules
- Material: ABS for body and PC for door
- Fire resistance: 360°C/30s
- Protection against dust and moisture: IP40



Zero and ground terminals included

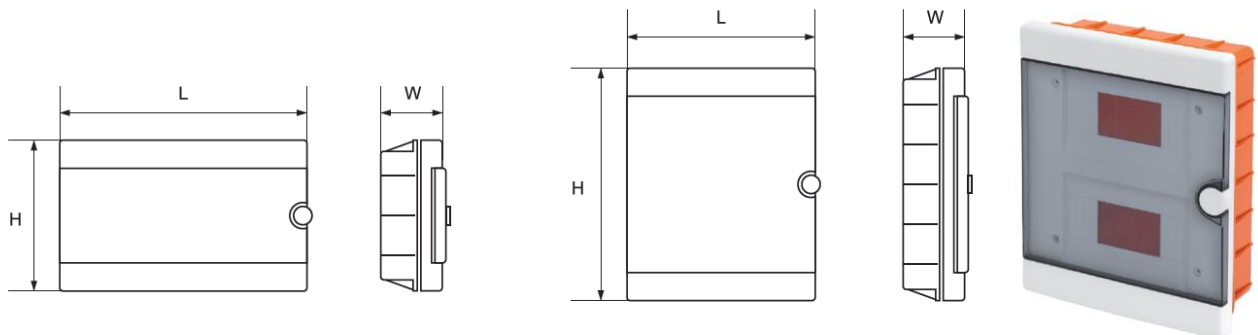
Variants and Dimensions:

- Plastic distribution boxes for surface mounting- ATTIS series, IP40



Type	Number of rows	Module capacity (number of devices)	Dimensions (mm)			Packing / Box	Catalogue number
			L	H	W		
Attis 6	1	6	185	140	90	1/30	60025
Attis 9	1	9	220	164	90	1/20	60095
Attis 12	1	12	305	205	90	1/16	60125
Attis 16	1	16	355	220	90	1/16	60165
Attis 16	2	16	231	285	90	1/16	60175
Attis 24	2	24	313	345	96	1/8	60245
Attis 36	3	36	315	440	96	1/5	60365

- Plastic distribution boxes for flush mounting- ATTIS series, IP40



TECHNICAL SPECIFICATION

PLASTIC DISTRIBUTION BOXES

ELMARK[®]

The Brand of Electricity

Type	Number of rows	Module capacity (number of devices)	Dimensions (mm)			Packing / Box	Catalogue number
			L	H	W		
Attis 6	1	6	185	140	90	1/30	60026
Attis 9	1	9	220	164	90	1/20	60096
Attis 12	1	12	305	205	90	1/16	60126
Attis 16	1	16	355	220	90	1/16	60166
Attis 16	2	16	231	285	90	1/16	60176
Attis 24	2	24	313	345	96	1/8	60246
Attis 36	3	36	315	440	96	1/5	60366

Barcodes:

60025	3800131203243
60095	3800131203267
60125	3800131203281
60165	3800131203304
60175	3800131203328
60245	3800131203342
60365	3800131203366
60026	3800131203250
60096	3800131203274
60126	3800131203298
60166	3800131203311
60176	3800131203335
60246	3800131203359
60366	3800131203373

Standard: EN 61439-3

