

NUOVA GAMMA MULTISWITCH

4 e 5 cavi con tecnologia digitale dCSS (digital channel stacking switch) per distribuzione sat e tv su singolo cavo.

I multiswitch d-Logic sono completamente retro-compatibili con le frequenze del tradizionale SCR analogico.

Installazioni molto più efficienti: distribuzione di 16 User Band con un unico cavo coassiale per ciascuna uscita.

Tutti i multiswitch a 5 cavi consentono la commutazione automatica SCR/Legacy (serie Hybrid).

80391DH and 80392DH sono compatibili con LNB Wideband (80192W) per gestire due differenti posizioni orbitali.

NEW RANGE MULTISWITCH

4 and 5 cable multiswitch with digital technology dCSS (digital channel stacking switch) for sat and tv distribution on a single cable.

The d-Logic multiswitches are fully back-compatible with the traditional SCR frequencies.

More efficient installation: distribution of 16 User Bands over a single coaxial cable for each output.

All 5 cable multiswitches allow automatic SCR/Legacy switching (Hybrid series).

80391DH and 80392DH are compatible with Wideband LNB (80192W) to manage 2 different orbital positions.

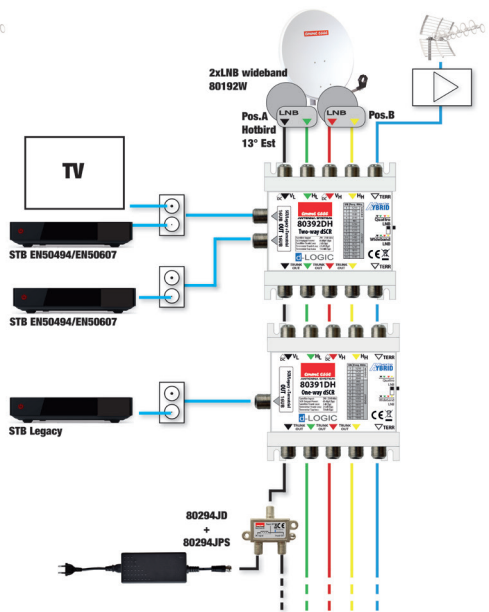
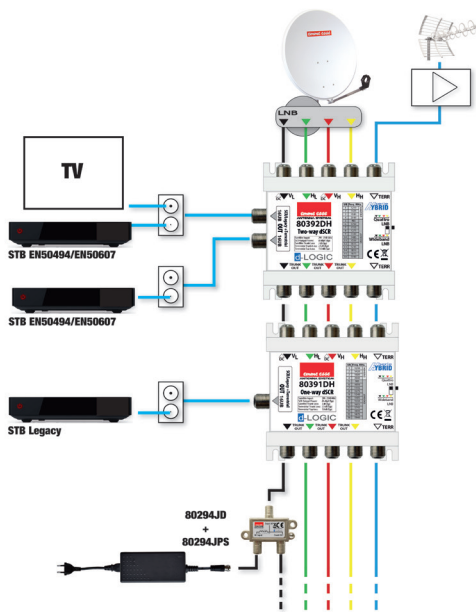
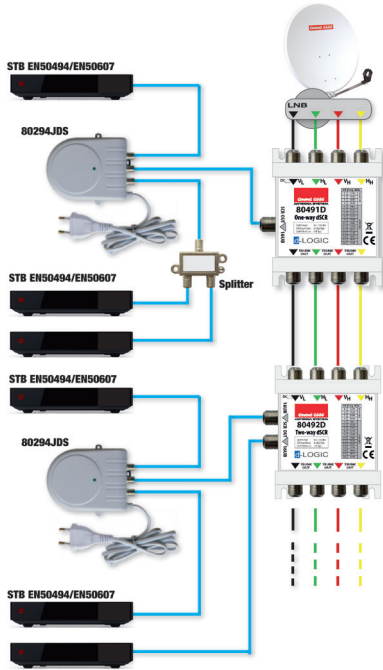
	EN50494					EN50607										
UB	1	2	3	4	5	6	7	8	9	10	11	12	13	14	15	16
Freq. (MHz)	1210	1420	1680	2040	985	1050	1115	1275	1340	1485	1550	1615	1745	1810	1875	1940



4 cavi
4 cables

5 cavi
5 cables

5 cavi banda larga
5 cables wideband



Codice / Code	80491D	80492D	80391DH*	80392DH*	80394DH
In	4	4	5	5	5
Out	4	4	5	5	5
Tap	1	2	1	2	4
Tap loss. sat/tv (dB)	AGC /-	AGC /-	AGC /-7	AGC /-11	AGC /-16
Trunk loss sat/tv (dB)	1 /-	1 /-	2 /2.5	2 /2.5	1.5 /3
Cons. (mA) per SCR port	<300 @ 13 V	<320 @ 13 V	<330 @ 13 V	<350 @ 13 V	<385 @ 13 V
Isol. sat/tv (dB)	-	-	>22	>22	>22
Max lev IN (dBµV)	110 dBµV	110 dBµV	105 dBµV	105 dBµV	110 dBµV
Max lev OUT (dBµV)	85 (AGC)	85 (AGC)	85 (AGC)	85 (AGC)	85 (AGC)
Dimensioni/Dimensions (mm)	90x80x40	90x80x40	90x90x40	90x90x40	223x143x50

* Compatibile con LNB Wideband / Compatible with LNB Wideband

Accessori / Accessories	Descrizione / Description	Dim. (mm)
80294JPS	PSU for dSCR- 100-240 V/20VDC, 3.25A - F Connector	115x55x35
80294JD	Power inserter, 250-2340 MHz – 3.25A DC power pass	61x51x16
80294JDS	PSU/ inserter with 2 way smart splitter, 950-2150 MHz, 100 -240V/18VDC, 0.5A	110x94x41

